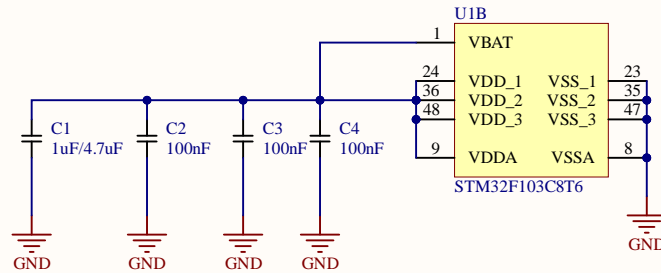
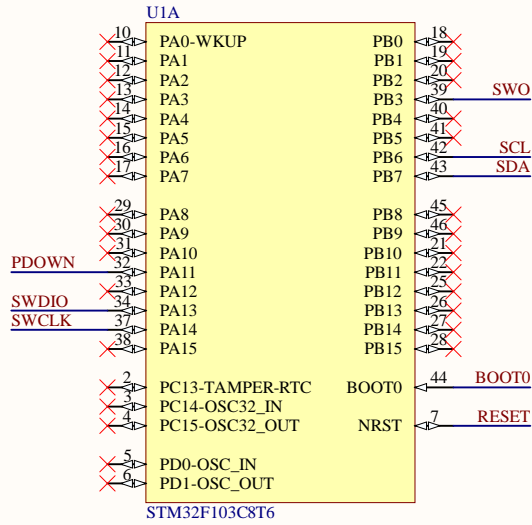


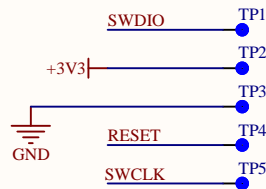
FIDUCIALS



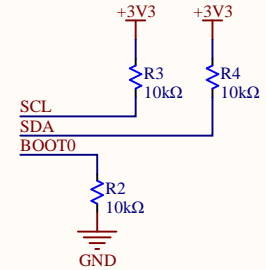
STM32F103C8T6 OR GD32F103C8T6



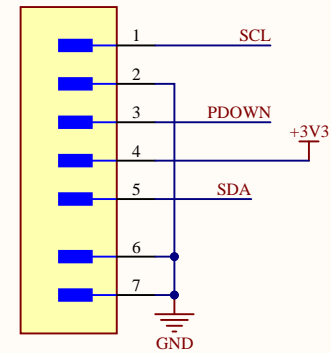
PROGRAMMING HEADER



PULL UP/DOWN RESISTORS



XIAOMI HEADER SM05B-PASS-TB (LF)(SN)



SM05B-PASS-TB (LF)(SN)
J1

Title			Xiaomi Modchip
Size	Number	Revision	
A4		V1.0	
Date:	7/10/2021	Sheet of	1/1
File:	C:\Users\...\Sheet1.SchDoc	Drawn By:	The Flamingo